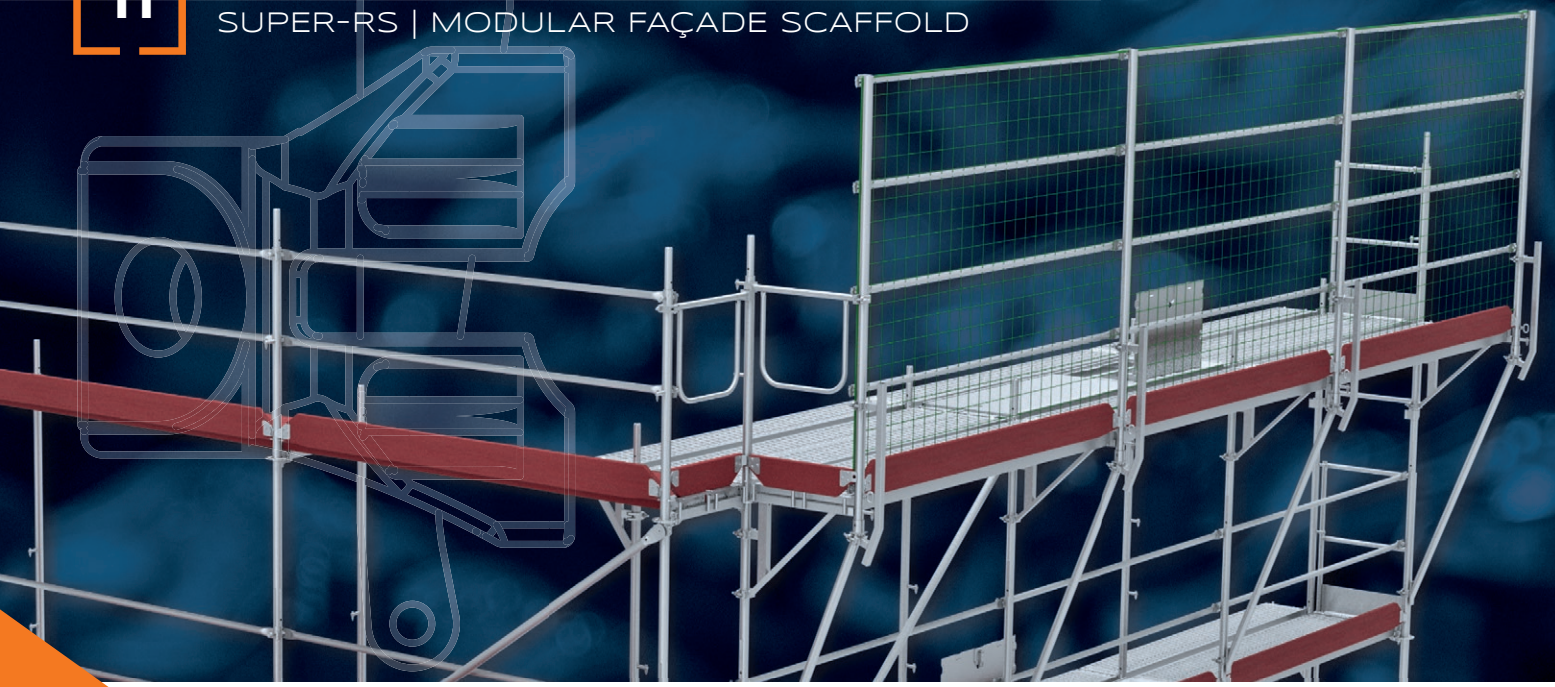




TECH INFO

SUPER-RS | MODULAR FAÇADE SCAFFOLD



THE BEST OUT OF EVERY SYSTEM!

SUPER-RS

MODULAR FAÇADE SCAFFOLD

TECH INFO SUPER-RS | 2022-10-EN



SMART CLIP



APPLICATION

The SUPER-RS scaffolding system was designed with increased safety requirements and future-oriented adaptation possibilities in mind. The further development of the classical frame scaffold as „dissolved facade scaffold“ with advancing guardrail protection opens up new possibilities for economical scaffolding. Existing material from previously used systems can be reused to a large extent.

MATERIAL

Standards S460 / ledgers S355 / further components S235 with increased yield strength

DECKS

SUPER pins, U-shaped support (FRAMESCAFF) or tube hook-up (RINGSKAFF)

GUARDRAIL TYPE

Optionally removable or definitive

STRONGER. TOGETHER.

scafom-rux



USE

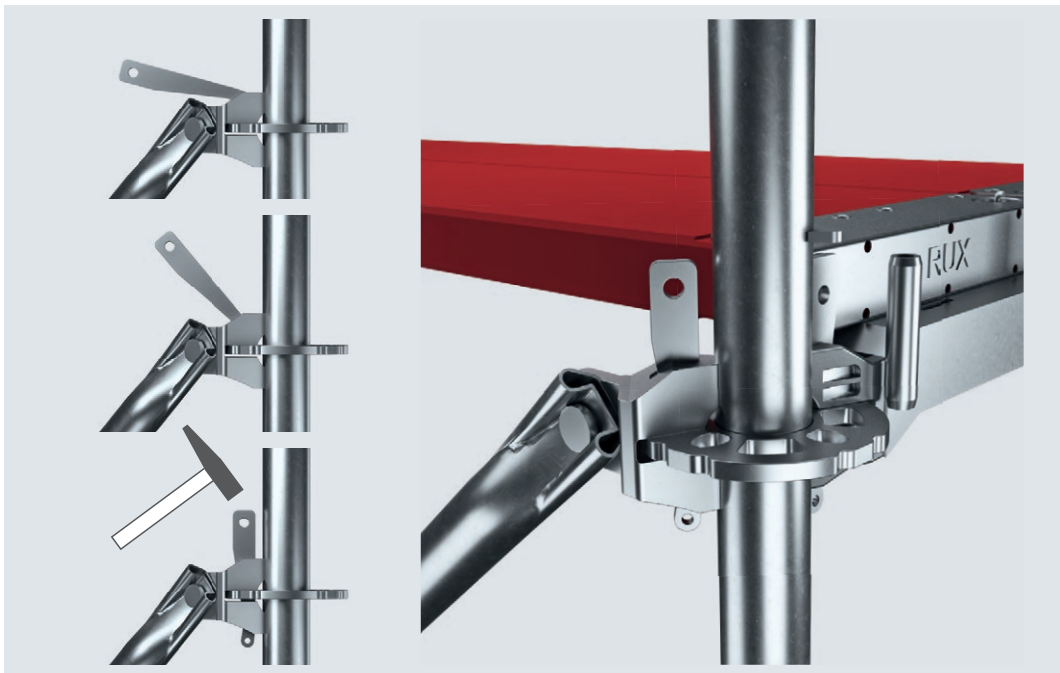
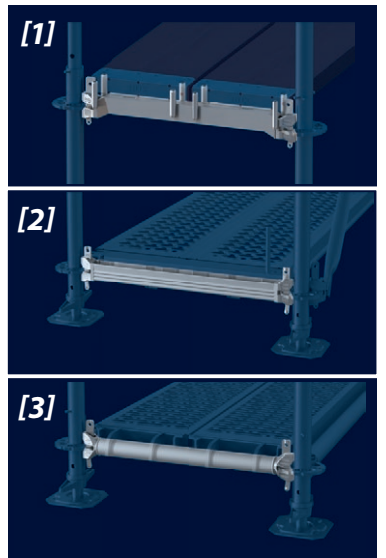
- Façade and industrial scaffolding
- Combined scaffolding with existing scaffolding systems

ADVANTAGES

- Advancing guardrail solution
- Choice of decking to match existing material
- Tube connector and standard diameters comply with existing specifications = MULTI-USE
- Excellent rigidity due to RINGSCAFF diagonal with wedge head
- Optimum handling due to low weight
- Seamless transfer of decks and many other parts from existing systems

3 types of deck types are available for the SUPER-RS system:

[1] SUPER pins, [2] U-shaped support (FRAMESCAFF and compatible) or [3] tube hook-up (RINGSCAFF and compatible)



DIAGONALS FROM THE RINGSCAFF SYSTEM HIGH LOAD-BEARING AND SELF-ALIGNING

Our power diagonals from the tried-and-tested RINGSCAFF system provide for high load-bearing node connections at the decking level by means of a wedge head. In addition, this ensures self-aligning assembly - which means that once the base ledgers have been levelled, the scaffolding automatically remains perpendicular. Level for level, nothing wobbles.

Scafom-rux

De Kempen 5 · 6021 PZ Budel · The Netherlands
T +31 495 497 204 · info@scafom-rux.com



FRAME PRINCIPLE RE-THOUGHT

The good old frame of the façade scaffolding has always been good and stable and will remain so. In terms of set-up speed, it has always been unbeaten - but due to the requirements of TRBS 2121, the now necessary attachment of an advanced guardrail is more time-consuming and requires extra parts.

VARIOUS VERSIONS

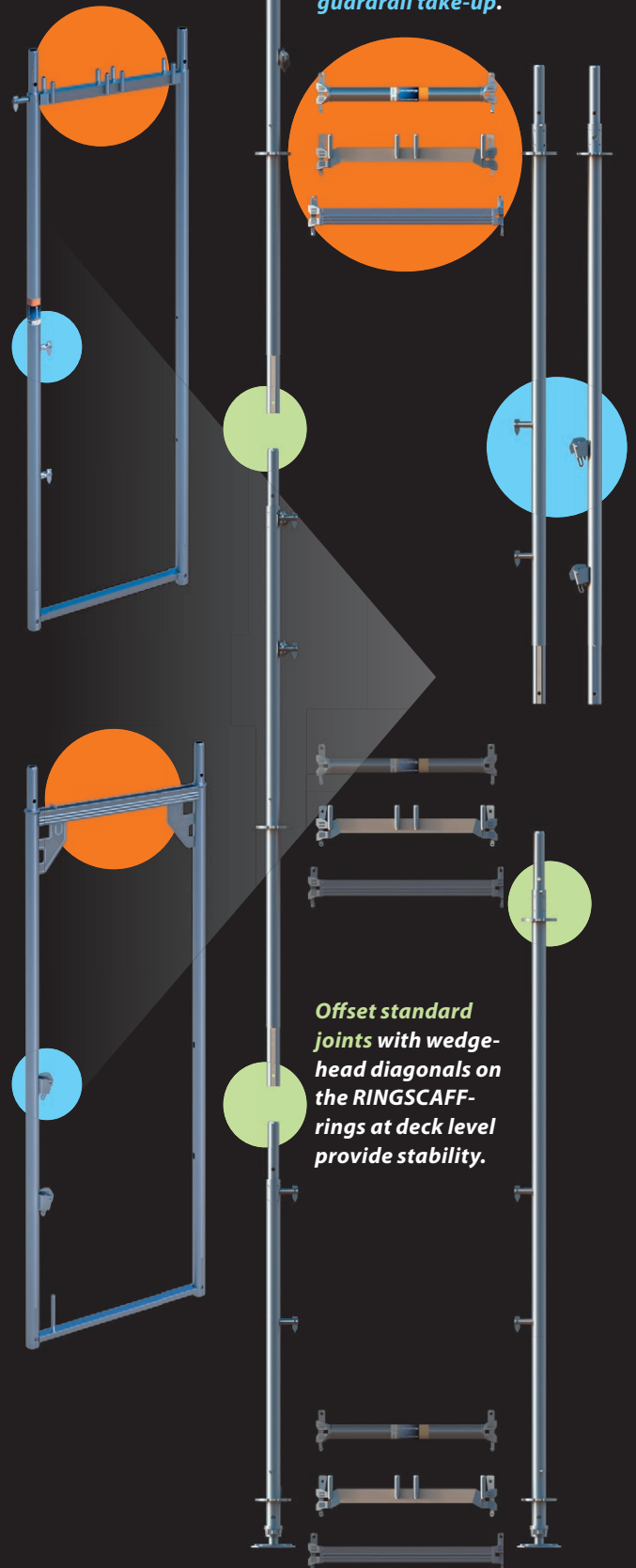
Attempts in the past to modify the frame principle, e.g. by means of alternatively shaped frames, failed due to static and logistical considerations. The stability of the frame was nowhere near that of conventional frames, and the open shape of the frames caused loading problems due to snagging and bending. In addition, the choice of decking was similarly fixed and dependent on proprietary solutions as with all scaffolding frames.

THE SOLUTION: DISSOLUTION!

- Inner and outer standards as well as decking ledgers and diagonals can be stowed away to save space, and the outer standards with guardrail take-up are always „one level ahead“ during assembly, so that TRBS 2121 is fulfilled.
- SUPER or FRAMESCAFF supports allow the use of removable or permanent guardrails for both material variants.
- The decking ledgers can be selected to match the existing decking; they are available for pins (SUPER), U-shaped support (FRAMESCAFF) and tube hook-up (RINGSKAFF). The RINGSKAFF diagonals of the SUPER-RS, which are identical for all decking variants, form a high load-bearing node at the level of the decks.
- An absolute advantage of the SUPER-RS system is that currently used scaffolding systems can continue to be used in parallel because the necessary standards have been retained - e.g. the diameter of the tube connectors or the standards.

From frame scaffold
(SUPER and FRAMESCAFF)

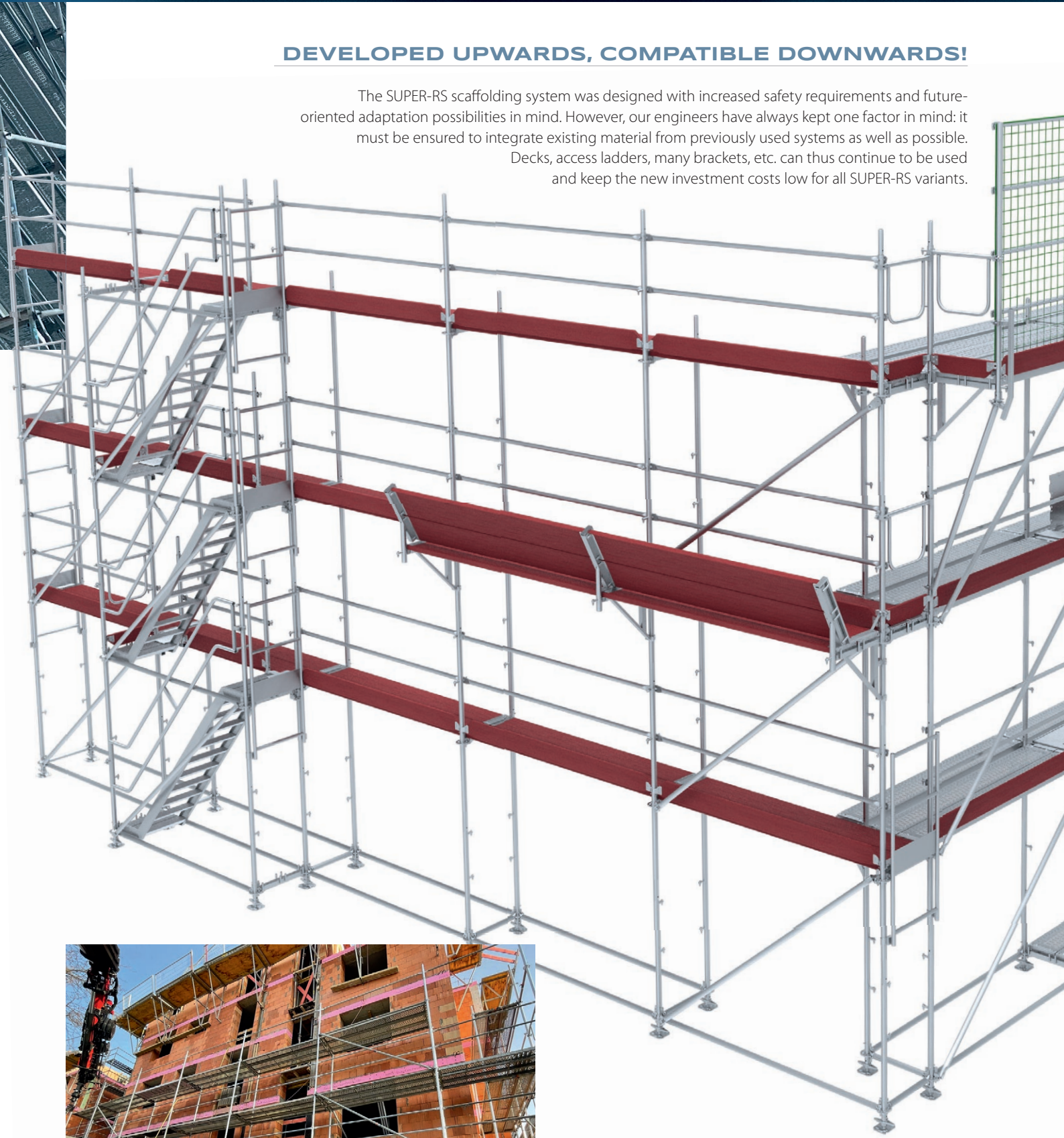
to the modular SUPER-RS with
variable decking ledgers and
guardrail take-up.

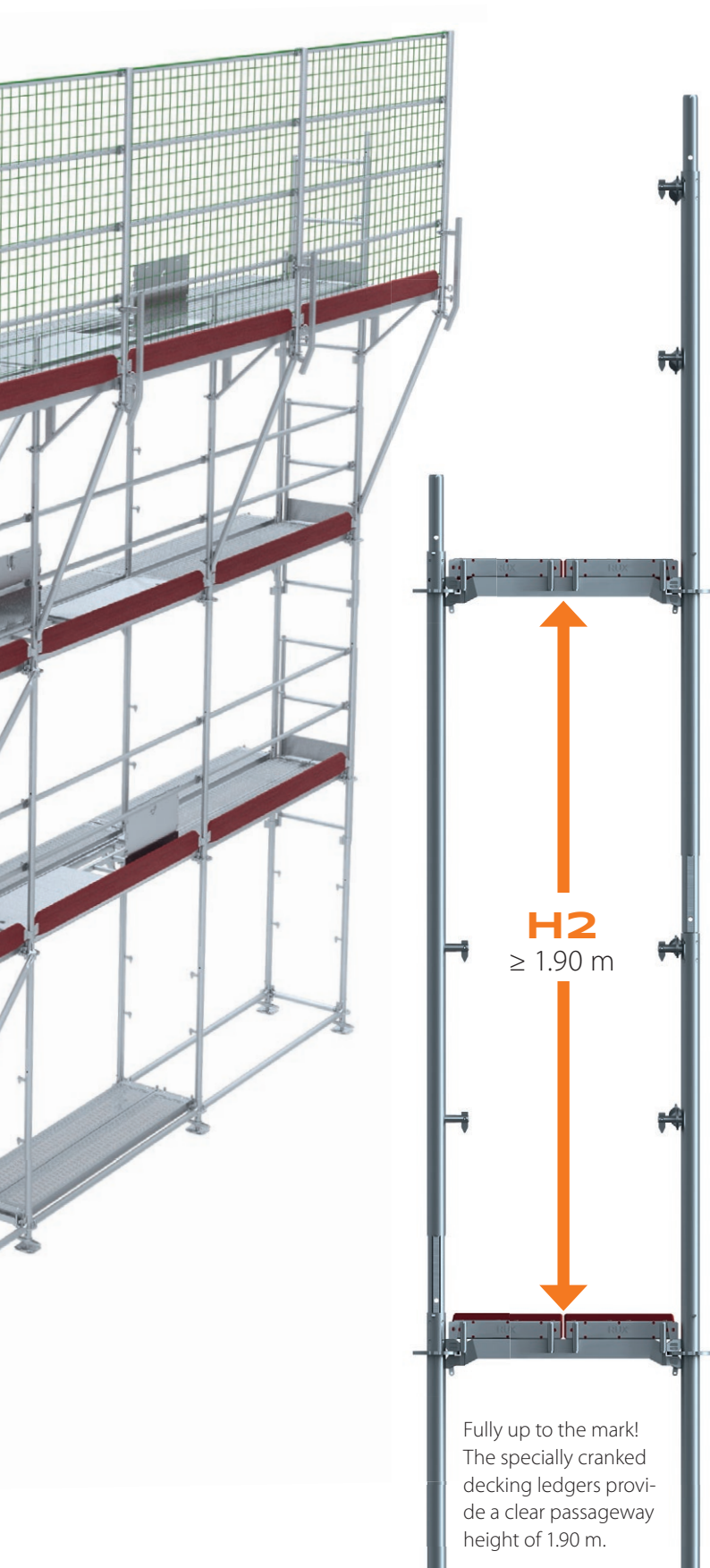


Offset standard
joints with wedge-
head diagonals on
the RINGSKAFF-
rings at deck level
provide stability.

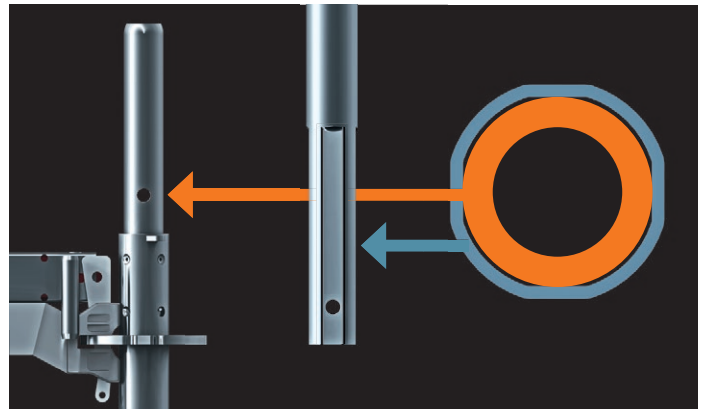
DEVELOPED UPWARDS, COMPATIBLE DOWNWARDS!

The SUPER-RS scaffolding system was designed with increased safety requirements and future-oriented adaptation possibilities in mind. However, our engineers have always kept one factor in mind: it must be ensured to integrate existing material from previously used systems as well as possible. Decks, access ladders, many brackets, etc. can thus continue to be used and keep the new investment costs low for all SUPER-RS variants.





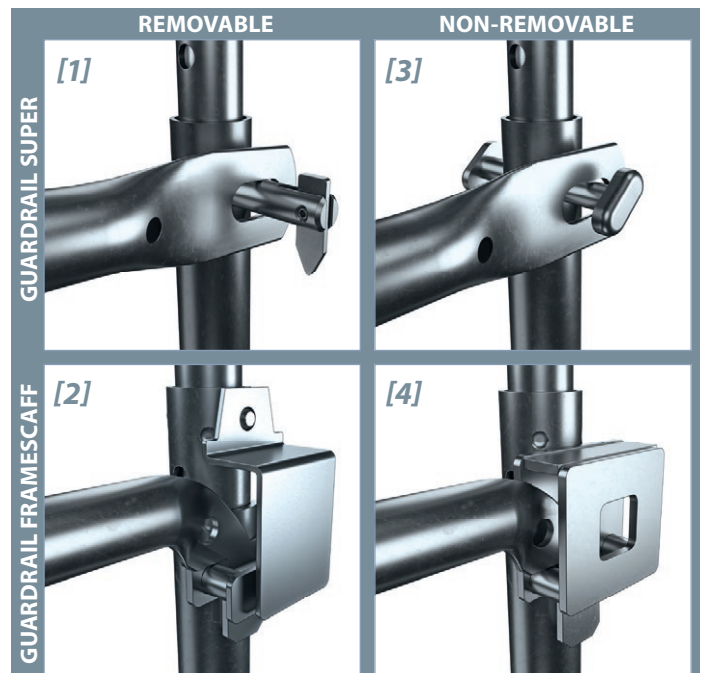
PROVEN STANDARDS



Due to the standard dimensions for standard and tube connector diameters, the combination with conventional systems is possible. The optimised, reduced wall thickness of the SUPER-RS standards is compensated for by compressed lower tube ends.

FLEXIBLE DECISION

According to the requirements on site, you decide whether the SUPER-RS guardrail consists of removable or non-removable elements. Various shaft options are available for [1] SUPER gravity lock systems and [2] FRAMESCAFF guardrails (both removable) as well as for [3] toggle fastening and [4] FRAMESCAFF guardrail twist take-up (non-removable).



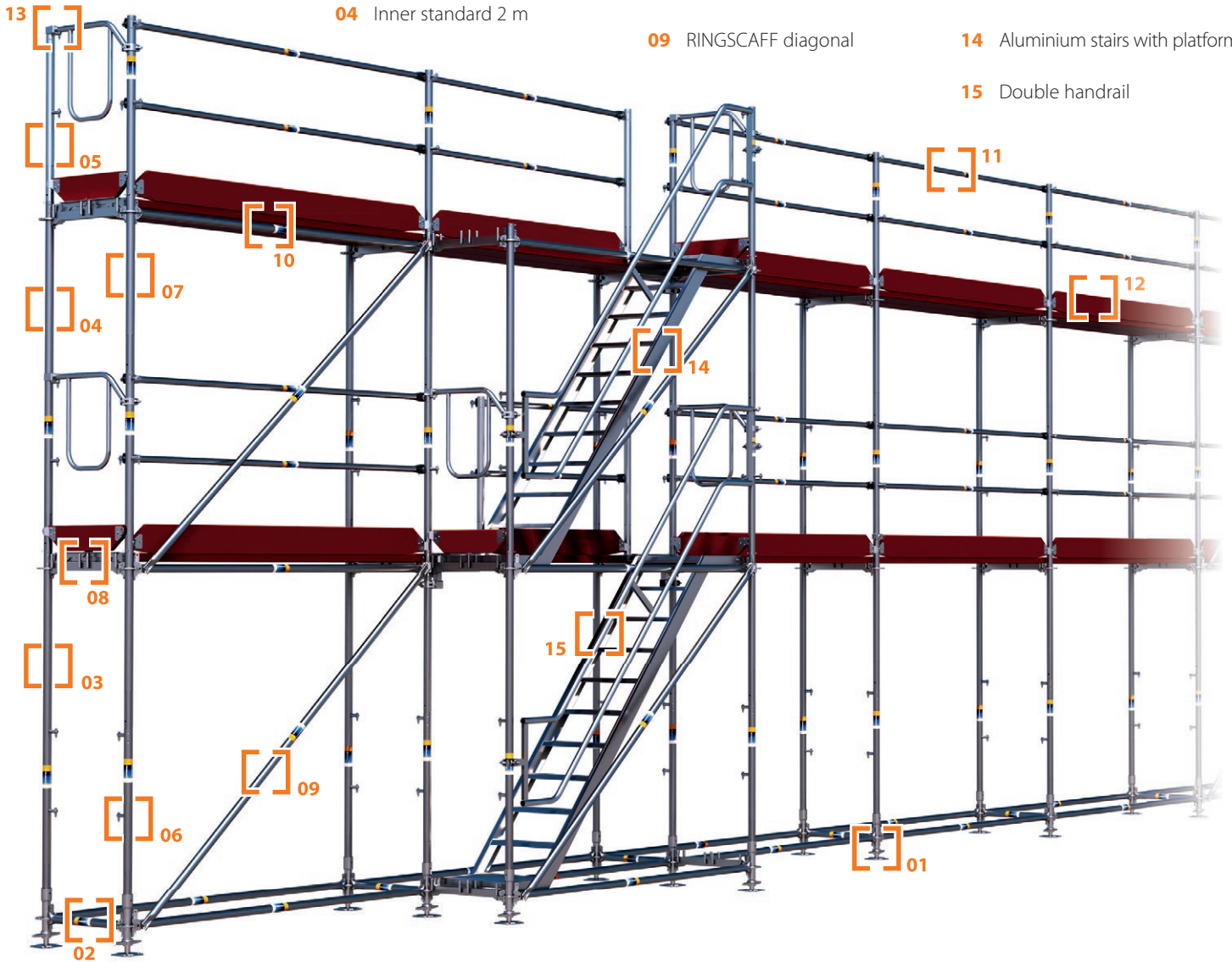
The non-removable guardrails are hooked in before the standard is fitted. When the standard is set upright, the toggle and guardrail opening twist against each other so that removal is no longer possible when the standard has been mounted.



OVERVIEW BASIC STRUCTURE

Example: SUPER-RS for SUPER pin decks

- 01 Base jack with standard lead-off adapter
- 02 RINGSCAFF ledger
- 03 Inner starter standard 2 m
- 04 Inner standard 2 m
- 05 Inner end standard 2 m
- 06 Outer starter standard 1 m
- 07 Outer standard 2 m
- 08 Decking transom
- 09 RINGSCAFF diagonal
- 10 Decks
- 11 Primary guardrail
- 12 Toe board
- 13 Front guardrail frame
- 14 Aluminium stairs with platform
- 15 Double handrail



All SMART DETAILS price lists with lots of additional information and application examples can be downloaded free of charge from our homepage at <https://www.scafom-rux.de/en/recources/downloads>

MORE INFO? SMART DETAILS!



SCAFOM-RUX.COM

Scafom-rux
De Kempen 5 · 6021 PZ Budel · The Netherlands
T +31 495 497 204 · info@scafom-rux.com

scafom-rux